

# Cila

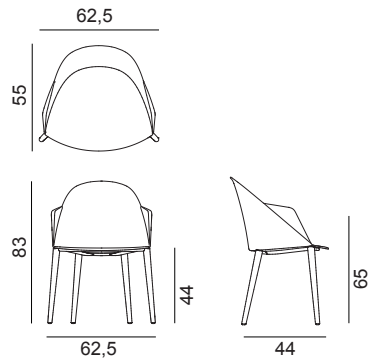
Design by Lievore Altherr, 2018

## Art. 2223

Armchair with timber oak four-leg base (natural oak, bleached oak, wengé). Polypropylene shell available in five colours. Optional glides with felt for wooden floors are available upon request.

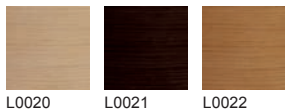


## Dimensions \*



\* File CAD 2D - 3D available for download at [www.arper.com](http://www.arper.com)

## Frame Base



## Shell

### Polypropylene



arper

info@arper.com

www.arper.com


# Cila


## Design by Lievore Altherr, 2018

---

### SHIPMENT DETAILS

**Art.2223**

1 pz = 2  - kg 10,87/ m³ 0,38

4 pz = 2  - kg 30,83/ m³ 0,447

### RESISTANCE TEST

- TUV GS (EN16139)

### TECHNICAL SPECIFICATIONS

**Art.2223**

\*Classe 1, 2, 1IM: fire retardant version available with surcharge and eventual minimum batch

### FIRE RETARDANT TEST

arper

www.arper.com  
info@arper.com

www.arper.com